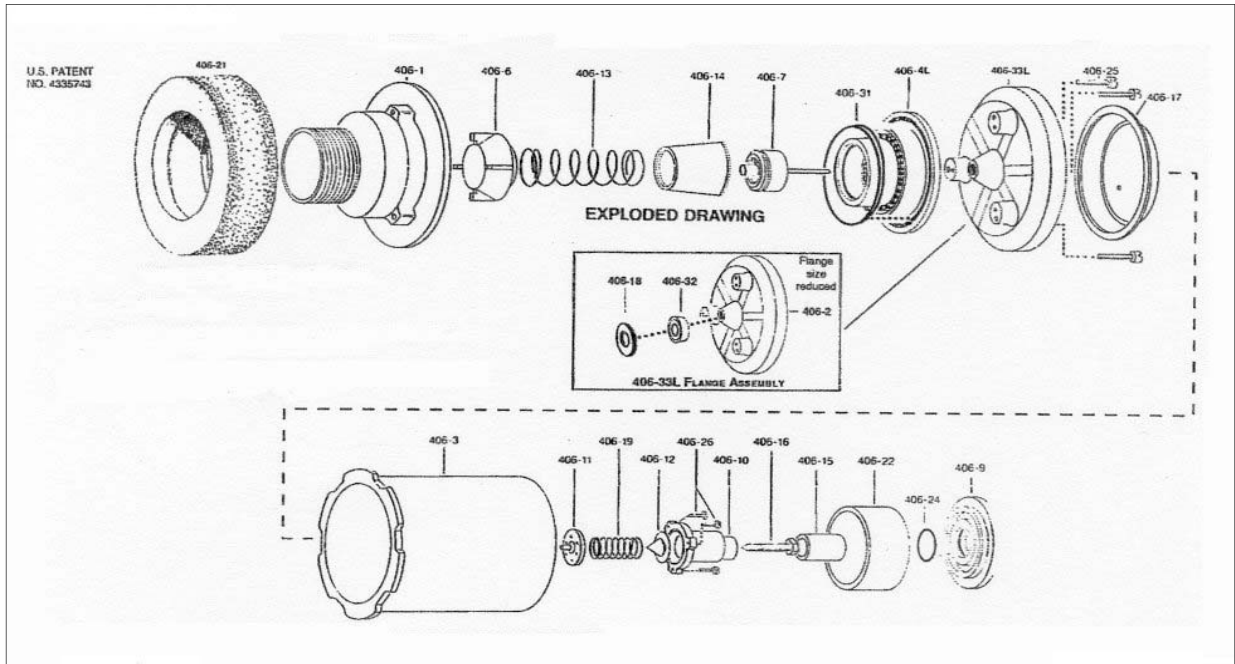


# SENTINEL™ VACUUM CONTROLLERS – Mark II



Sentinel Mark II - Parts Break-Down

Part#	Part Description
406-01	Outlet Body
406-03	Dome
406-04L	Flow Ring
406-06	Plug
406-07	Poppet Assembly
406-09	Filter Cap
406-10	Adjuster Housing
406-11	Dome Diaphragm
406-12	Wobble Plate
406-13	Closing Spring
406-14	Rolling Seal
406-15	Adjusting Knob
406-16	Adjusting Screw
406-17	Main Diaphragm

Part#	Part Description
406-18	Retaining Washer
406-19	Adjustment Spring
406-21	Main Filter
406-22	Dome Filter
406-24	"O" Ring
406-25	Flange Screw (3 each)
406-26	Adjuster Housing Screw (3 each)
406-31	Outlet Seal
406-32	Rod Seal
406-33L	Flange Assembly
406-334L	Flange & Flow Ring Set
PMM-M2	Parts & Maintenance Manual for the Mark II

**Note: All Mark I parts are interchangeable with Mark II parts.**



**L. J. ENGINEERING, INC.**

18192 Gothard Street  
Huntington Beach, CA 92648 USA

Mark2.pdf – 1-27-09

Phone: 714-848-8001  
In the USA: 1-800-635-6413  
Fax : 714-848-0973

E-mail: [info@sentinelproducts.com](mailto:info@sentinelproducts.com)  
Website: <http://www.sentinelproducts.com>